

PT180 (A869)

PARTS CATALOG

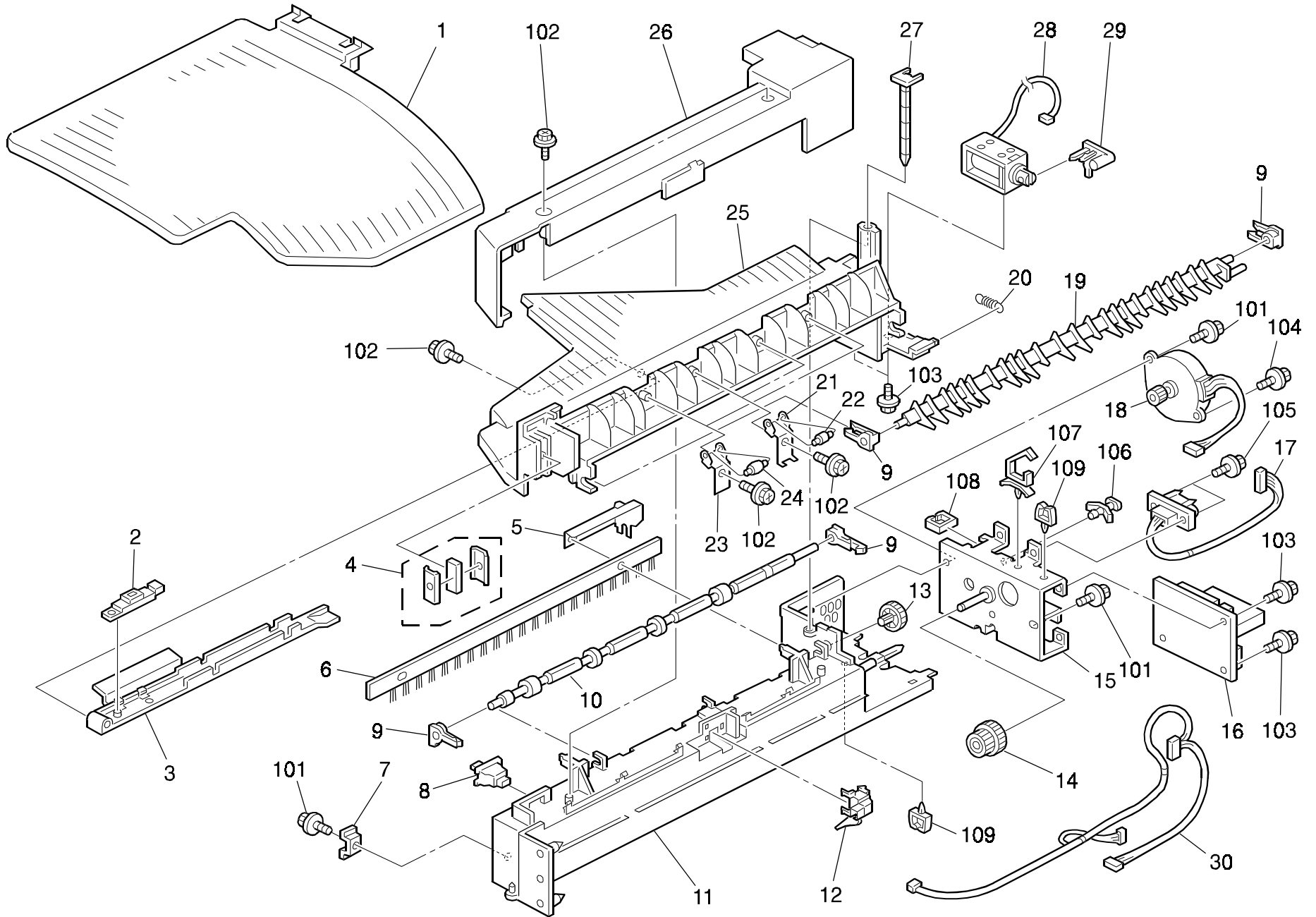
INTRODUCTION

This chapter instructs you the numbers and names of parts on this machine.

INDEX to PARTS CATALOG

1.PT180 (A869)	2
PARTS INDEX.....	5

1.PT180 (A869)



1.PT180 (A869)

Index No.	Part No.	Description	Q'ty Per Assembly
1	A869 4475	Exit Tray	1
2	AW01 0088	Sensor GP2A200LCS - Ass'y	1
3	A869 4469	Lower Cover	1
4	AG07 0014	Magnet Catch	1
5	A869 4461	Grounding Plate	1
6	AA12 0085	Antistatic Bursh	1
7	G029 1255	Magnet Catch Stay	1
8	G020 5626	Push Switch	1
9	G800 4851	Bushing	1
10	A250 4180	Exit Roller	1
11	A869 4452	Upper Frame	1
12	A869 4460	Paper Feed Sensor - Ass'y	1
13	A869 4458	Gear - 19Z	1
14	A869 4457	Gear - 18Z	1
15	A869 4453	Motor Bracket	1
16	A869 5155	PCB - 1bin	1
17	A869 5231	DC Harness - Drawer	1
18	G694 5202	Transport Motor DC 11.2W	1
19	A869 4465	Junction Gate	1
20	A869 4468	Spring	1
21	A869 4470	Supporter - Exit Roller	1
22	G029 4181	Exit Roller	1
23	A869 4464	Supporter - Exit Driven Roller	1
24	G800 4854	Exit Roller	1
25	A869 4463	Lower Frame	1
26	A869 4473	Upper Cover	1
27	A869 4471	Shaft - Frame	1
28	A869 4466	DC Solenoid	1
29	A869 4467	Lever - DC Solenoid	1
30	A869 5244	DC Harness - Sensor	1

Index No.	Part No.	Description	Q'ty Per Assembly
101	0452 3008B	Tapping Screw - M3x8	
102	0450 3008B	Tapping Screw - M3x8	
103	0451 3006B	Tapping Screw - M3x6	
104	0453 3006B	Tapping Screw - M3x6	
105	0451 3008B	Tapping Screw - M3x8	
106	1105 0409	Card Spacer:6.4mm	
107	1105 0310	Harness Clamp - LWS-1S	
108	1105 0243	Wire Saddle	
109	1105 0199	Clamp	

PARTS INDEX

Part No.	Description	Page and Index No.
A869 4452	Upper Frame	3- 11
A869 4453	Motor Bracket	3- 15
A869 4457	Gear - 18Z	3- 14
A869 4458	Gear - 19Z	3- 13
A869 4460	Paper Feed Sensor - Ass'y	3- 12
A869 4461	Grounding Plate	3- 5
A869 4463	Lower Frame	3- 25
A869 4464	Supporter - Exit Driven Roller	3- 23
A869 4465	Junction Gate	3- 19
A869 4466	DC Solenoid	3- 28
A869 4467	Lever - DC Solenoid	3- 29
A869 4468	Spring	3- 20
A869 4469	Lower Cover	3- 3
A869 4470	Supporter - Exit Roller	3- 21
A869 4471	Shaft - Frame	3- 27
A869 4473	Upper Cover	3- 26
A869 4475	Exit Tray	3- 1
A869 5155	PCB - 1bin	3- 16
A869 5231	DC Harness - Drawer	3- 17
A869 5244	DC Harness - Sensor	3- 30

Part No.	Description	Page and Index No
AA12 0085	Antistatic Bursh	3- 6
AG07 0014	Magnet Catch	3- 4
AW01 0088	Sensor GP2A200LCS - Ass'y	3- 2
G020 5626	Push Switch	3- 8
G029 1255	Magnet Catch Stay	3- 7
G029 4181	Exit Roller	3- 22
G694 5202	Transport Motor DC 11.2W	3- 18
G800 4851	Bushing	3- 9
G800 4854	Exit Roller	3- 24

Part No.	Description	Page and Index No.
A250 4180	Exit Roller	3- 10

Part No.	Description	Page and Index No
0450 3008B	Tapping Screw - M3x8	3-102
0451 3006B	Tapping Screw - M3x6	3-103
0451 3008B	Tapping Screw - M3x8	3-105
0452 3008B	Tapping Screw - M3x8	3-101
0453 3006B	Tapping Screw - M3x6	3-104
1105 0199	Clamp	3-109
1105 0243	Wire Saddle	3-108
1105 0310	Harness Clamp - LWS-1S	3-107
1105 0409	Card Spacer:6.4mm	3-106